



YI J I N ELECTRONI CS CO. , LTD

产品承认书

'Rt qf wev'cempqy rfg i o gpv

Client客户:

Product产品:

声表面谐振器

Model型号:

R418M TO-39

Tabulation 制表:

Production

'Date日期:

2011-5-1

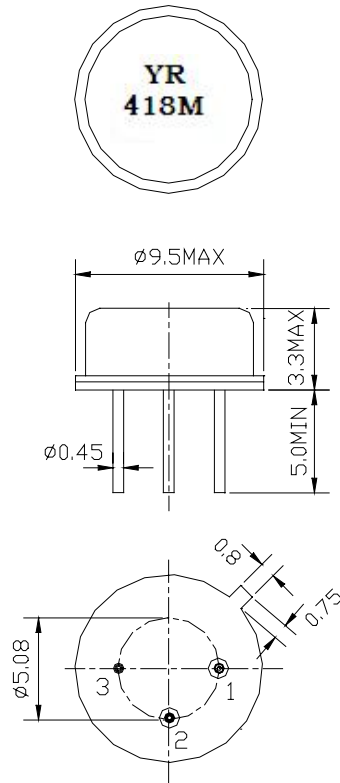
承認結果 CONCLUSION	客戶簽名 SIGNATURE	客戶承認章 STAMP	日期 DATE	備注 REMARK
合格 ACCEPT				
不合格 REJECT				

审核: _____

(请盖公章)

1. Package Dimension (TO-39/3A)

Unit: mm



Pin No.	Function
1.	Input
2.	Output
3.	Ground

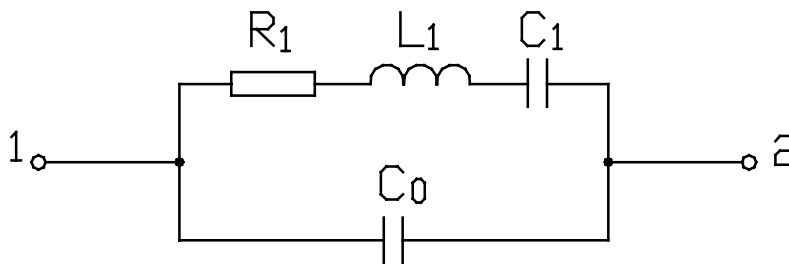
2. Marking

DR1

418.00

1. Color: Black or Blue
2. DR: Manufacture's logo
3. 1: One-port SAW Resonator
4. 418.00: Center Frequency (MHz)

3. Equivalent LC Model



4. Performance

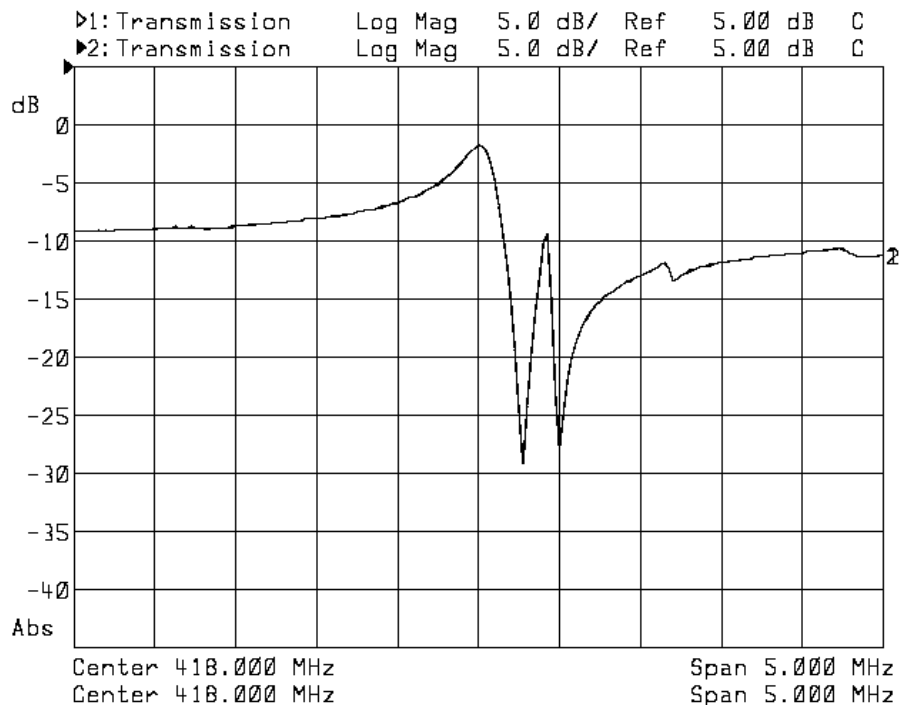
4.1 Maximum Rating

DC Voltage V_{DC}	10V
AC Voltage V_{PP}	10V (50Hz/60Hz)
Operation Temperature	-40 to +85
Storage Temperature	-45 to +85
RF Power Dissipation	0dBm

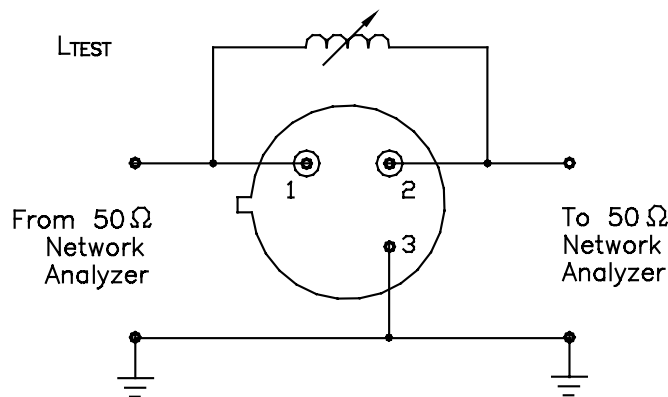
4.2 Electronic Characteristics

Item	Units	Minimum	Typical	Maximum
Center Frequency	MHz	417.925	418.00	418.075
Insertion Loss	dB	—	1.2	2.5
Quality Factor	Unloaded Q	—	12,100	—
	50 Loaded Q	—	2,000	—
Temperature	Turnover Temperature	20	35	50
	Stability	Turnover Frequency	KHz	fo
	Freq. Temp. Coefficient	ppm/°C ²	0.032	—
Frequency Aging	ppm/yr	—	<±10	—
DC Insulation Resistance	M	1.0	—	—
RF Equivalent RLC Model	Motional Resistance R_1	—	20	26
	Motional Inductance L_1	μH	—	91
	Motional Capacitance C_1	fF	—	1.6
	Shunt Static Capacitance C_0	pF	—	2.0

4.3 Frequency Characteristics



4.4 Test Circuit



Note: Reference temperature shall be 25 ± 2 . However, the measurement may be carried out at 5 to 35 unless there is a dispute.

5. Reliability

5.1 Mechanical Shock: The components shall remain within the electrical specifications after 1000 shocks, acceleration 392 m/s^2 , duration 6 milliseconds.

5.2 Vibration Fatigue: The components shall remain within the electrical specifications after loaded vibration at 20 Hz, amplitude 1.5 mm, for 2 hours.

5.3 Terminal Strength: The components shall remain within the electrical specifications after pulled 2 kgs weight for 10 seconds towards an axis of each terminal.

5.4 High Temperature Storage: The components shall remain within the electrical specifications after being kept at the 85 ± 2 for 48 hours, then kept at room temperature for 2 hours.

5.5 Low Temperature Storage: The components shall remain within the electrical specifications after being kept at the -25 ± 2 for 48 hours, then kept at room temperature for 2 hours.

5.6 Temperature Cycle: The components shall remain within the electrical specifications after 5 cycles of high and low temperature testing (one cycle: 80 for 30 minutes 25 for 5 minutes -25 for 30 minutes)than kept at room temperature for 2 hours.

5.7 Solder-heat Resistance: The components shall remain within the electrical specifications after dipped in the solder at 260 for 10 ± 1 seconds, then kept at room temperature for 2 hours. (Terminal must be dipped leaving 1.5 mm from the case).

5.8 Solder Ability: Solder ability of terminal shall be kept at more than 80% after dipped in the solder flux at 230 ± 5 for 5 ± 1 seconds.

6. Remarks

6.1 Static voltage

Static voltage between signal load & ground may cause deterioration & destruction of the component. Please avoid static voltage.

6.2 Ultrasonic cleaning

Ultrasonic vibration may cause deterioration & destruction of the component. Please avoid ultrasonic cleaning.

6.3 Soldering

Only leads of component may be soldered. Please avoid soldering another part of component.